

## GV-1000 Industrial Vision Systems

Counting & Verification



Defect & Quality Detection



Measurement



OCR/OCV



Logic Tool



### SALES INQUIRY



0878 4737 7537  
WHATSAPP



sales@gressler.co



**PT MULIA MESIN INDUSTRI**  
AUTHORIZED INDONESIA DISTRIBUTOR



021 5020 0990



Citragrand Cibubur CBD Cluster Ruko  
Fraser Park FRO3 No.30  
Jl. Raya Alternatif Cibubur-Cileungsi  
KM.5 Jatirangga, Jakasampurna  
Bekasi, West Java 17434 Indonesia



gressler.id

### VISION TOOLS

#### 1 Counting and Verification

Identifying and counting patterns, spots, and edges, as well as verifying the existence of specific patterns, spots, edges, circles, or lines.

#### 2 Defect and Quality Detection

Detecting anomalies or exceptions in visual data and assessing the quality and clarity of printed or engraved marks such as lot numbers, serial numbers, and expiration dates.

#### 3 Measurement and Calibration

Measuring various attributes like size, angles, diameters, brightness, contrast, width, and grayscale, and determining the position and alignment of objects for calibration purposes.

#### 4 Recognition and Reading (OCR/OCV)

Identifying text through OCR, recognizing colors, codes, and other visual features, and ensuring that barcodes, QR codes, and other identification marks are present, correctly formatted, and readable.

#### 5 Logic and Decision-Making

Applying conditional logic, judgments, and calculations to make decisions based on visual data, including checking the correct placement and orientation of labels and marks to meet specific standards and regulatory requirements.

# GV-1000 Vision Systems

## INDUSTRY & APPLICATION

- Food & Beverage
- Pharmacy
- FMCG
- Building Materials
- Cosmetics & Personal Care
- Electronics
- Automotive

## FEATURES AND BENEFIT

### Boost Consumer Confidence

- **Accurate Expiry Information:** Ensure that expiry dates and best-before labels match the product's life and are always easy to read.
- **Top-Notch Product Quality:** Guarantee that all critical information, like Best Before Dates and LOT numbers, is perfectly printed and clear.
- **100% Quality Inspection:** Every product that hits the market is thoroughly inspected for quality.
- **Consistent Brand Quality:** Maintain brand excellence with always readable and validated text information.
- **Comprehensive Code Presence:** Ensure every product has the necessary codes for full traceability.

### Streamlined Setup

- **Quick Setup Time:** Enjoy faster setup with integrated SKU/article management.
- **Simplified Data Input:** Enter variable data just once for both printer and camera.
- **Error Reduction:** Use handheld scanners to scan work order barcodes, minimizing input mistakes.
- **User-Friendly Interface:** Set up legibility tolerances effortlessly with an intuitive operator interface.
- **Easy Threshold Setup:** Simplify threshold adjustments with our highly user-friendly interface.

### Advanced Communication and Connectivity

- **Eliminate Human Error:** Leverage comprehensive line integration and code management features.
- **Centralized Code Management:** Control marking system codes directly from the vision controller.
- **Multi-Device Connectivity:** Connect and manage multiple cameras and printers from a single point.

### Enhance Production Efficiency

- **Cost Reduction:** Minimize expenses due to rework, recalls, and scrap.
- **High OEE:** Benefit from quick and reliable setup and changeovers to maintain optimal equipment effectiveness.
- **Detailed Traceability:** Receive end-of-batch reports for thorough traceability of any quality issues.

By integrating these features, you not only uphold your brand's reputation but also ensure your products meet the highest quality standards, making your setup process smooth and error-free while enhancing overall production efficiency



## SPECIFICATIONS

### Camera

Sensor Type	CMOS, Global Shutter
Pixel Size	3.45 $\mu\text{m}$ $\times$ 3.45 $\mu\text{m}$
Sensor Size	1/2.9"
Resolution	1408 $\times$ 1024
Max. Frame Rate	60 fps
Dynamic range	71.4 dB
SNR	41 dB
Gain	0 dB to 15 dB
Exposure Time	16 $\mu\text{s}$ to 1 sec
Pixel Format	RGB 8, Mono 8
Mono / Color	Color

### Electrical

Data Interface	Fast Ethernet
Digital I/O	<p>The 17-pin M12 connector offers comprehensive connectivity, including power, Ethernet, digital I/O, and a serial port. It features:</p> <p>Input Signals: 2 lines (Line 0/1)            Output Signals: 3 lines (Line 5/6/7), configurable as NPN or PNP            Bi-directional I/O: 3 lines (Line 2/3/4)</p>
Power Supply	24 VDC
Power Consumption	Approx. 48 W@24 VDC

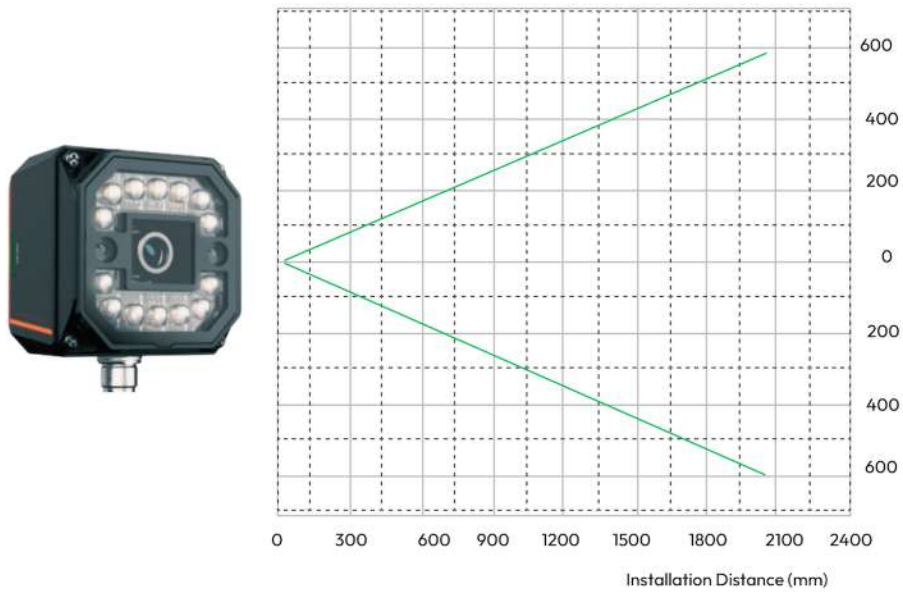
### Mechanical

Lens Mount	M12-mount, mechanical autofocus lens
Focal length	6 mm (0.2")
Lens Cap	Transparent Lens Cap (Optional: Polarization or infrared filter lens cap)
Light Source	White Light by default (Optional: Red or blue Light)
Indicator	Power indicator (PWR), Network Indicator (LNK), Status Indicator (STS), Result Indicator (OK/NG)
Dimension	65.2 mm $\times$ 65.2 mm $\times$ 47 mm (2.6" $\times$ 2.6" $\times$ 1.9")
Weight	Approx. 280 g (0.6 lb.)
IP Rating	IP67 (under proper installation of lens and wiring)
Temperature	Working temperature: 0 $^{\circ}\text{C}$ to 50 $^{\circ}\text{C}$ (32 $^{\circ}\text{F}$ to 122 $^{\circ}\text{F}$ ) Storage temperature: -30 $^{\circ}\text{C}$ to 70 $^{\circ}\text{C}$ (-22 $^{\circ}\text{F}$ to 158 $^{\circ}\text{F}$ )
Humidity	20% to 95% RH, non-condensing
Software	SCMVS
Certification	CE, FCC, KC

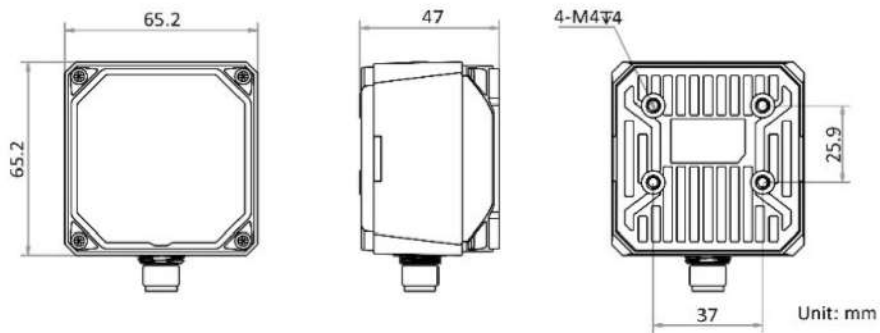
## DETECTION RANGE

Lens focal length	Installation distance	Field View	Single Pixel Accuracy
6 mm (0.2")	5 mm (0.2")	4.05 mm × 2.94 mm (0.2" × 0.1")	0.003 mm
	2000 mm (78.7")	1619.20 mm × 1177.60 mm (63.7" × 46.4")	1.150 mm

## Vertical Field View (mm)



## Dimensions



## Technical Support

- Our dedicated technical support team is available 24/7 to assist you with any issues or questions regarding Gressler vision sensors.
- We offer comprehensive services including troubleshooting, installation assistance, and software updates to ensure your systems run smoothly and efficiently. Contact us via phone, email, or whatsapp chat for prompt and professional support.

Gressler is committed to continuous product improvement. We reserve the right to modify designs and specifications without prior notice.