

GE-2000H & GE-3000H Thermal Transfer Printers





SALES INQUIRY

 0878 4737 7537
WHATS APP

 sales@gressler.co

 **PT MULIA MESIN INDUSTRI**
AUTHORIZED INDONESIA DISTRIBUTOR

 021 5020 0990

 Citragrand Cibubur CBD Cluster Ruko
Fraser Park FRO3 No.30
Jl. Raya Alternatif Cibubur-Cileungsi
KM.5 Jatirangga, Jakasampurna
Bekasi, West Java 17434 Indonesia

 gressler.id

TTO KEY APPLICATIONS

Packaging

- 1 Print high-quality graphics, text, and barcodes on flexible packaging materials, ensuring clear product information.

Labelling

- 2 Create precise and durable labels for various products in industries like electronics, automotive, and healthcare.

Barcodes and QR Codes

- 3 Produce accurate and scannable barcodes and QR codes for inventory management and product tracking.

Date Coding

- 4 Print production dates, expiration dates, and batch numbers for product traceability and quality control.

Promotional

- 5 Customize prints for marketing and promotional items to enhance visual appeal and attract customers.

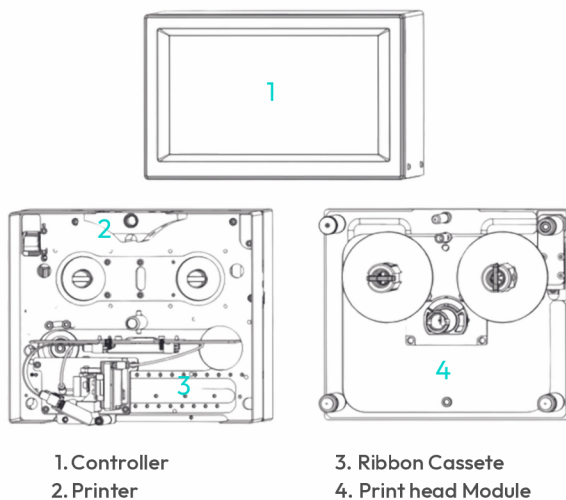
Industrial Applications

- 6 Mark parts and components with identification codes and compliance information that withstand harsh condition.

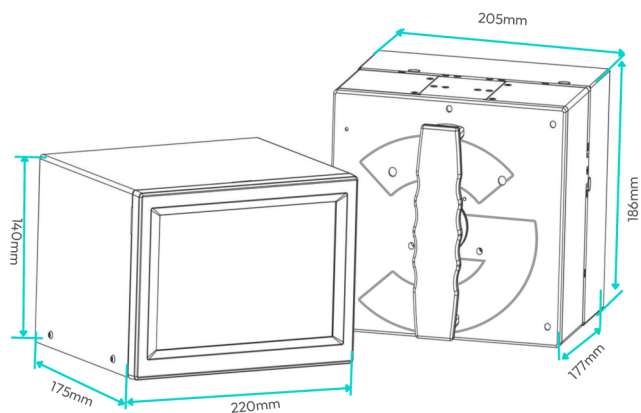
SPECIFICATIONS

Model	GE-2000H (32mm)	GE-3000H (53mm)
Print Width	32 mm (300dpi)	53 mm (300dpi)
Print Area	32*75mm, 32*75mm, 32*100mm, 32*100mm	53*75mm, 53*75mm 53*100mm, 53*100mm
Resolution	300dpi (12 dots/mm) **	
Print Speed Range	40-600mm/s	
Printing Modes	Intermittent, Continuous	
Print Features	EAN 8, EAN 13, UPC-A, UPC-E, Code 39, EAN 128, Code 128, ITF, RSS (including 2D composite codes); others may be available upon request	
Sensor Compatibility	Ribbon Tension Sensor: TPH (Thermal Print Head) Position Sensor, Cover Opening Sensor, TPH Over Temperature Sensor, Ribbon Break Sensor	
Packaging Sensor Technology	Electromagnetic Induction , Synchronizers (for continuous models), Photoelectric Sensors	
Packaging Materials	PVDC, PET, PE, NY, CPP, OPP, BOPP, BOPET, BOPA, CPP, PE, VMPET, VMCPP, and other films and composite films	
Ribbon Capacity	Max. length of 500 meters (Available in a Range of Grades and Colors)	
Ribbon Type	Wax/Resin, Resin	
Interface	USB Host Interface, Ethernet Interface	
Power Supply	Internal switching power supply module, AC90V-264V, 47/63 Hz; 150VA	
Temperature	Working temperature: 0 °C to 50 °C (32 °F to 122 °F) Storage temperature: -30 °C to 70 °C (-22 °F to 158 °F)	
Humidity	20% to 95% RH, non-condensing	

Main Components



Dimensions



Actual installation may require additional hardware based on the production environment.
Speed, resolution may vary depending on application on site and substrates type.

GE 2000H & GE 3000H TTO

INDUSTRY & APPLICATION

- Food
- Beverage
- Pharmacy
- Electronics
- Cosmetics & Personal Care
- Building Materials
- Automotive

FEATURES AND BENEFIT

Thermal Transfer Overprinting (TTO) systems are designed specifically for direct printing on flexible film packaging and labels

Flexibility in Production

Thermal transfer technology allows for marking products either when stationary (intermittent) or moving (continuous) in a constant flow.

- Intermittent Printing: Ideal for lines with stop/start motion. During the stop-time (dwell), the real-time printing information is prepared, the printhead drops and moves across the surface, then returns to its start position once printing is complete.
- Continuous Printing: Suitable for continuous flow lines. The packaging material is printed while moving. After receiving a signal (e.g., from an eye mark), the printhead presses against the platen roller to start printing and returns to the start position after printing. The print speed adjusts automatically to ensure consistently clear print images.

Uptime Advantage

- Continuous Production: TTO printers with high uptime minimize interruptions, ensuring seamless production runs.
- Efficiency: Reduced maintenance and fewer ribbon changes boost operational efficiency and cut production costs.
- Reliability: Delivers consistent, reliable performance for high-quality prints without frequent stoppages.

User-Friendly Design

- User-Friendly Interface: Simple operator interface for ease of use.
- Durable Design: Engineered to withstand tough production line environments.
- Minimal Wear Parts: Easy-to-change wear parts improve production line uptime.

Ribbon Optimization

- Gressler's thermal transfer ribbons provide high performance, excellent print quality, and superior durability. Our extensive selection includes ribbons specifically designed to meet the demands of flexible packaging applications.



Technical Support

Count on our dedicated technical support team for expert advice and proactive maintenance solutions, ensuring optimal operation of your equipment. Rest assured that our comprehensive support services are customized to meet your specific needs, with our team available 24/7 to assist you.

Comprehensive Service Options

Main Services	1-Gressler Setup	2- Gressler Lite	3- Gressler basic	4- Gressler inclusive	5- Gressler premium	6- Gressler priority
Demonstration & product selection	●	●	●	●	●	●
Coder & consumables delivery	●	●	●	●	●	●
Coder installation & commissioning	●	●	●	●	●	●
24 hour/day technical support		●	●	●	●	●
Site visit call out request (charged)			●			
Monthly site visit				●		
Weekly site visit					●	
Full time site-based technician						●
Preventative maintenance				●	●	●
Replace spare parts as required			●	●	●	●
Training of operator & maintain staff			●	●	●	●
Auto replace coder every 3 years						●

By selecting a Gressler service package, you confirm your acceptance of these terms and conditions, including pricing, as outlined in the contractual agreement

Consumable & Spare parts Support

Ensure uninterrupted operation of your TTO printing equipment with our reliable consumable support. We guarantee the availability of essential items, including thermal transfer ribbons, printheads, cleaning kits, and spare parts, ensuring you have what you need when you need it

Comprehensive Coding & Marking Solutions

Explore beyond our comprehensive support for Thermal Transfer Overprinting (TTO) products; we provide a diverse range of coding and marking solutions such as Continuous Inkjet (CIJ), Thermal Inkjet (TIJ), Laser marking systems, and a variety of support accessories. Contact us today to discover how we can assist in achieving your operational goals.

